



MAX7452 Evaluation Kit

Evaluates: MAX7452

General Description

The MAX7452 evaluation kit (EV kit) is a fully assembled and tested surface-mount circuit board that contains the MAX7452. The MAX7452 is a low-cost, high-performance, complete front-end video-signal conditioner with automatic gain control (AGC) and a user-adjustable back-porch clamp. The device includes an out-of-band noise filter, back-porch clamp, loss-of-sync (LOS) detector, $\pm 6\text{dB}$ of AGC, and an output buffer capable of driving either a 150Ω video load or a high-impedance load. These features optimize the video signal quality for further video processing through a crosspoint device or video decoder. The EV kit operates from a single +5V power supply.

Component List

DESIGNATION	QTY	DESCRIPTION
C1	1	1 μF $\pm 10\%$, 10V X5R ceramic capacitor (0603) TDK C1608X5R1A105K
C2, C3	2	0.1 μF $\pm 10\%$, 25V X7R ceramic capacitors (0603) TDK C1608X7R1E104K
IN, OUT	2	75 Ω PC board mount BNC connectors
JU1, JU2	2	2-pin headers
JU3, JU4	2	3-pin headers
R1, R2	2	75 Ω $\pm 1\%$ resistors (0805)
U1	1	MAX7452ESA (8-pin SO-EP)
—	4	Shunts
—	1	MAX7452 PC board

Component Suppliers

SUPPLIER	PHONE	FAX	WEBSITE
TDK	847-803-6100	847-390-4405	www.component.tdk.com

Note: Indicate that you are using the MAX7452 EV kit when contacting this supplier.

Features

- ◆ Single +5V Supply Operation
- ◆ Adjustable Back-Porch Clamp
- ◆ Output Buffer Drives Standard Video Load
- ◆ Jumper-Selectable Output Buffer Gain of 0dB or +6dB
- ◆ Input Fault Detection with LOS Output
- ◆ AGC ($\pm 6\text{dB}$ Range)
- ◆ Jumper-Selectable AGC Enable/Disable
- ◆ Standard 75 Ω Input/Output Termination
- ◆ Jumper-Selectable Input/Output Termination
- ◆ Surface-Mount Components
- ◆ Fully Assembled and Tested

Ordering Information

PART	TEMP RANGE	IC PACKAGE
MAX7452EVKIT	0°C to +70°C	8 SO-EP*

*EP = Exposed paddle.

Quick Start

Recommended Equipment

- +5VDC power supply
- Adjustable reference voltage (1V to 3V) or power supply
- Video-signal generator (e.g., Tektronix TG-2000)
- Video measurement equipment (e.g., Tektronix VM-700A)

Procedure

The MAX7452 EV kit is fully assembled and tested. Follow these steps to verify board operation. **Do not turn on the power supply until all connections are completed:**

- 1) Verify that a shunt is installed across jumper JU1 (75 Ω input termination).
- 2) Verify that a shunt is not installed across jumper JU2 (75 Ω output series termination).
- 3) Verify that a shunt is installed across pins 1 and 2 of jumper JU3 (gain = 2).
- 4) Verify that a shunt is installed across pins 2 and 3 of jumper JU4 (AGC enabled).
- 5) Connect the output of the video-signal generator to the IN BNC connector on the MAX7452 EV kit.

MAX7452 Evaluation Kit

- 6) Connect the OUT BNC connector on the EV kit to the input of the video measurement equipment.
- 7) Connect the power-supply ground to the GND pad.
- 8) Connect the +5V supply to the V_{CC} pad on the EV kit.
- 9) Connect the negative terminal of the adjustable reference voltage to the GND pad.
- 10) Connect the positive terminal of the adjustable reference voltage to the BPLVL pad.
- 11) Set the adjustable reference voltage to 1.8V.
- 12) Set the video-signal generator for the desired video input signal, such as multiburst sweep. This signal must contain sync information (i.e., CVBS or Y).
- 13) Turn on the power supply and the adjustable reference voltage and enable the video-signal generator.
- 14) Analyze the video output signal with the VM-700A video measurement equipment.

Detailed Description

The MAX7452 EV kit is a fully assembled and tested surface-mount circuit board that contains a MAX7452. The MAX7452 provides complete front-end video-signal conditioning and is designed to improve the quality of standard-definition video signals. The MAX7452 also provides out-of-band noise filtering, LOS detection, user-adjustable back-porch clamp, AGC, and an output buffer with selectable gains of 0dB or +6dB.

The MAX7452 EV kit features an option to disable the AGC by setting the logic level at the AGCD pin of the MAX7452. The AGC adjusts the overall amplitude of the output signal until the sync amplitude equals the standard level. When the AGC is enabled (AGCD = logic low), the video input signal is set to 1V_{p-p} and then fed into the output buffer. When the AGC is disabled (AGCD = logic high), the video input signal is fed into the output buffer without any adjustment of the gain. The output buffer amplifies the video signal with a gain of 1V/V or 2V/V, according to the logic level at the GSET pin of the MAX7452.

The MAX7452 EV kit has a feature to adjust the back-porch level at the output. A BPLVL PC board pad is

provided to apply a DC voltage that is used to set the back-porch level. The back-porch clamp output level is defined by the following equations:

$$\begin{aligned} \text{GSET} = 1 \text{ (gain} = 2\text{V/V)} \\ \text{V}_{\text{BACKPORCHLEVEL}} = \text{V}_{\text{BPLVL}} \\ \text{GSET} = 0 \text{ (gain} = 1\text{V/V)} \\ \text{V}_{\text{BACKPORCHLEVEL}} = \text{V}_{\text{BPLVL}} / 1.5 \end{aligned}$$

An LOS test point is also provided on the EV kit. The LOS output is logic high when the sync signal is not present, indicating a loss of signal on the input for approximately 15 horizontal lines.

The video input channel on the MAX7452 EV kit is AC-coupled, while the video output channel is DC-coupled. Both the input termination and output series termination can be configured with jumpers. The MAX7452 EV kit operates from a single +5V power supply.

Jumper Selection

Input Termination

The MAX7452 EV kit features an option to terminate the video input channel to 75Ω or unterminated. Jumper JU1 selects the input termination on the MAX7452 EV kit. Table 1 lists the selectable jumper options.

Table 1. JU1 Jumper Selection

SHUNT POSITION	VIDEO INPUT SIGNAL TERMINATION
Installed (default)	75Ω
Not installed	Unterminated

Output Termination

The MAX7452 EV kit features an option to series terminate the video output channel to 75Ω or unterminated. Jumper JU2 selects the output termination on the MAX7452 EV kit. Table 2 lists the selectable jumper options.

Table 2. JU2 Jumper Selection

SHUNT POSITION	VIDEO OUTPUT SIGNAL TERMINATION
Installed	Unterminated
Not installed (default)	75Ω

MAX7452 Evaluation Kit

AGC and Output Buffer Gain Selection

The MAX7452 EV kit features an option to select the AGC and output buffer gain. Jumper JU4 (AGCD) controls the AGC enable and disable, while jumper JU3 (GSET) sets the output buffer gain. Table 3 lists the selectable jumper options.

Table 3. JU3 and JU4 Jumper Selection

SHUNT POSITION		V _{OUT}
JU3 (GSET)	JU4 (AGCD)	
2 and 3 (low)	2 and 3 (low)	1V _{P-P} fixed
1 and 2 (high)	2 and 3 (low)	2V _{P-P} fixed (default)
2 and 3 (low)	1 and 2 (high)	V _{OUT} = V _{IN}
1 and 2 (high)	1 and 2 (high)	V _{OUT} = 2V _{IN}

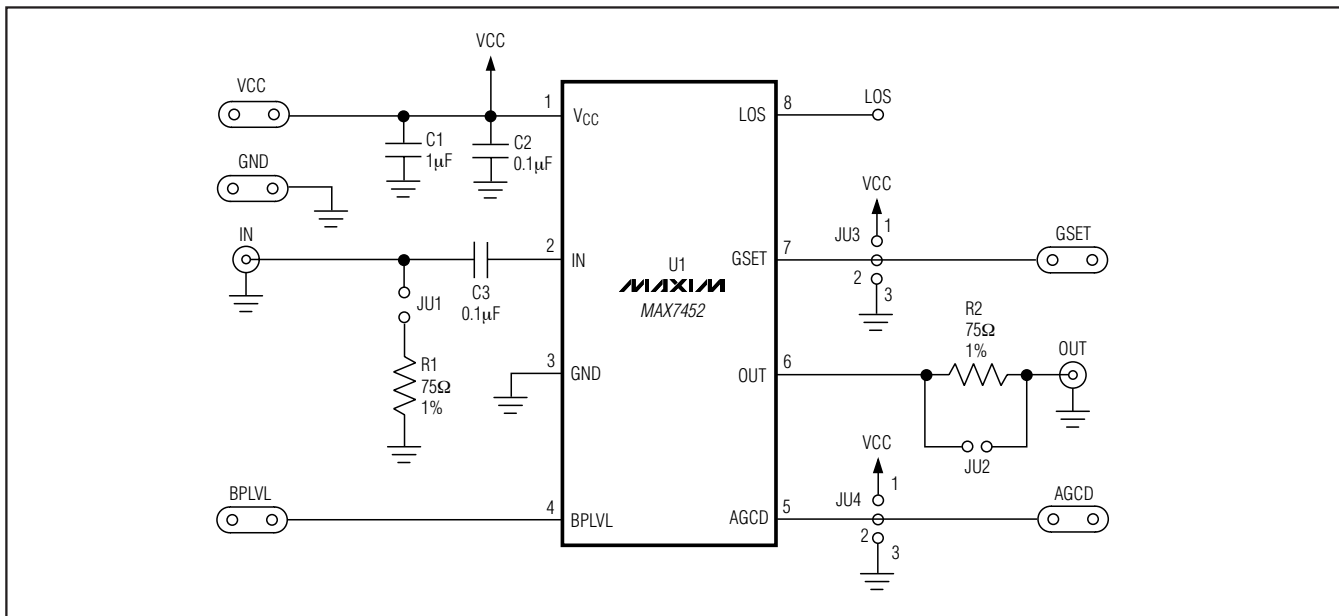


Figure 1. MAX7452 EV Kit Schematic

Evaluates: MAX7452

MAX7452 Evaluation Kit

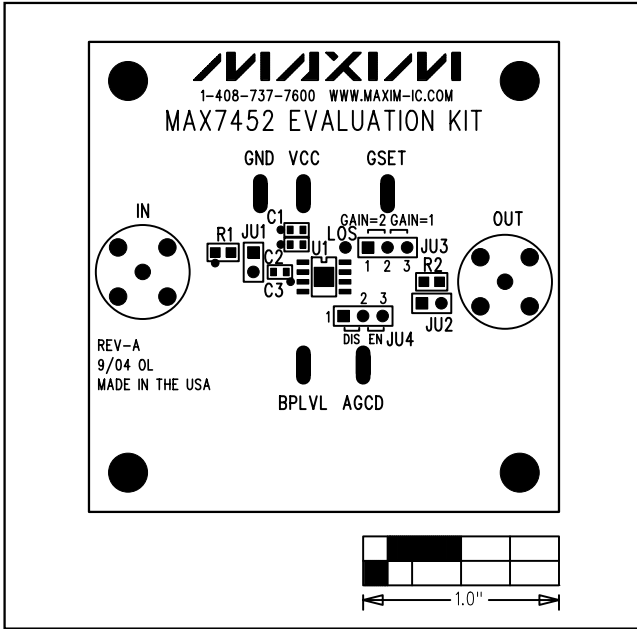


Figure 2. MAX7452 EV Kit Component Placement Guide—Component Side

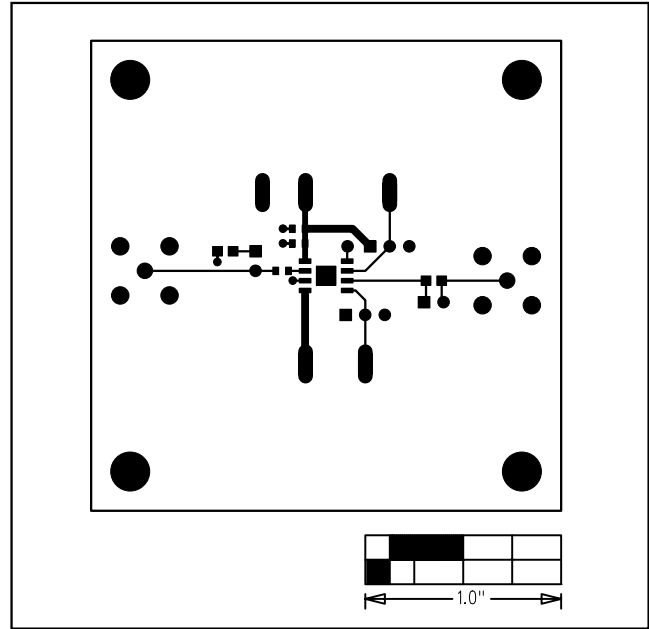


Figure 3. MAX7452 EV Kit PC Board Layout—Component Side

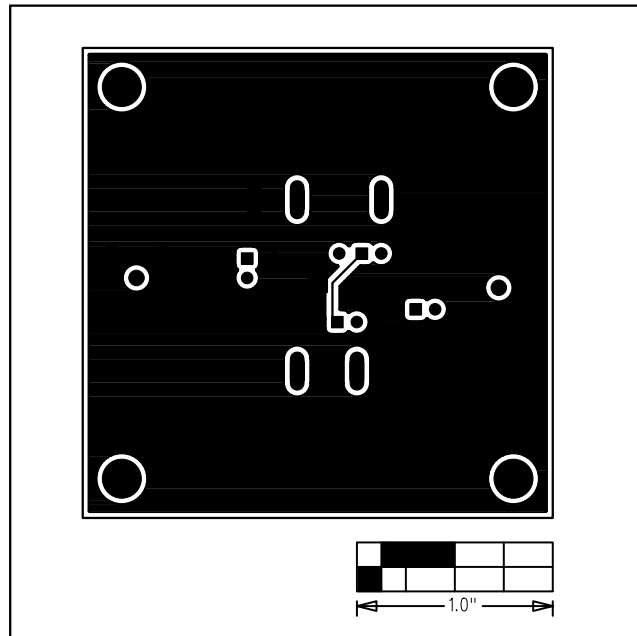


Figure 4. MAX7452 EV Kit PC Board Layout—Solder Side

Maxim cannot assume responsibility for use of any circuitry other than circuitry entirely embodied in a Maxim product. No circuit patent licenses are implied. Maxim reserves the right to change the circuitry and specifications without notice at any time.

4 _____ **Maxim Integrated Products, 120 San Gabriel Drive, Sunnyvale, CA 94086 408-737-7600**